

SOCKET FACES



The information contained in this drawing is the sole property of HAYES any reproduction in part or as a whole without the written permission of HAYES is prohibited.



Socket Head Cap Screws
5/16 x 2"

Socket Head Cap Screws
1/4-20 x 3/4"

NON-STICK SOCKET FACES 1/2" - 4" (16-110mm)

DEFINITIONS:

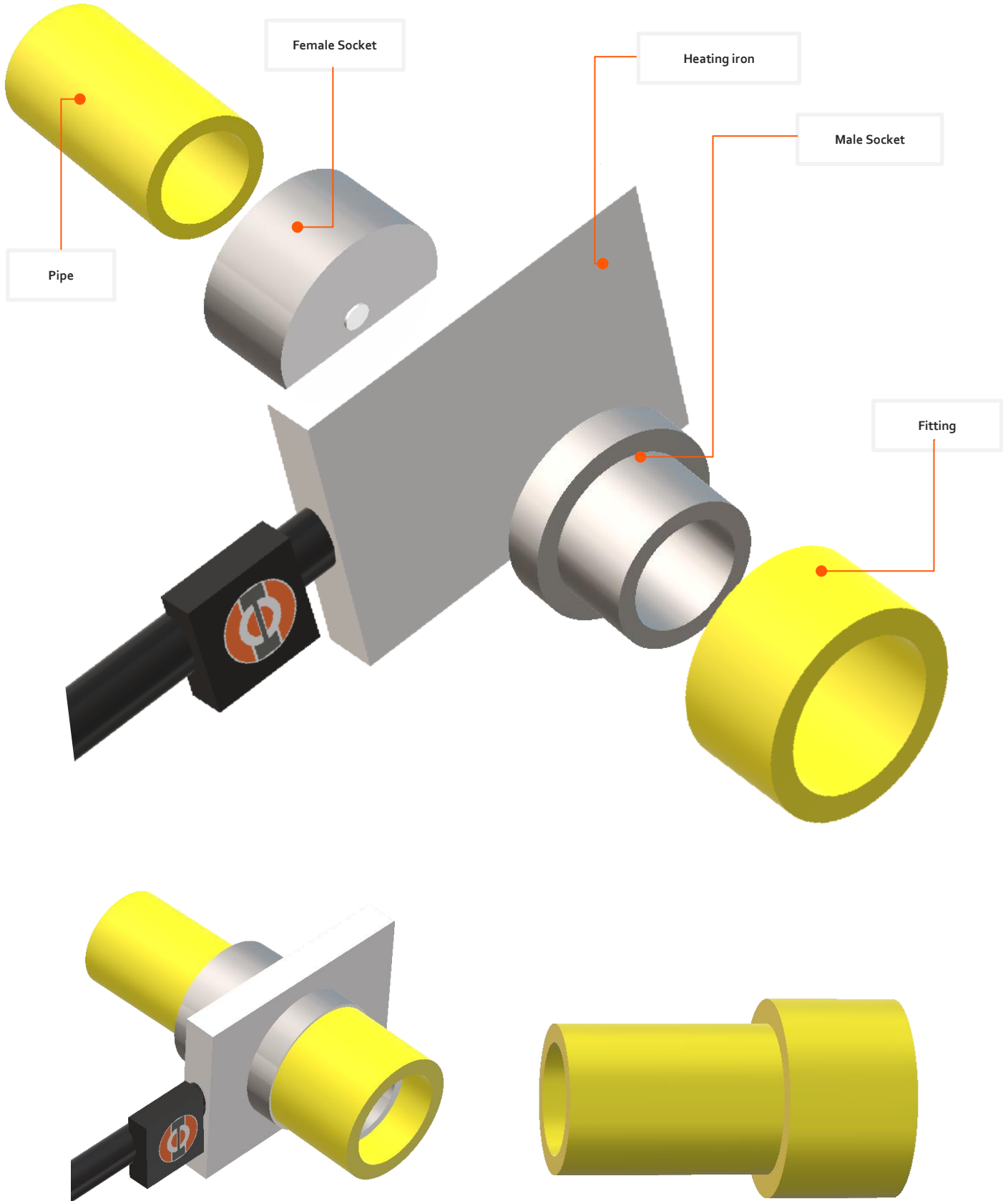
A Non-Stick Socket faces is a block of heat conducting material that attaches to the heating tool and is dimensioned to melt the internal surface of the fitting socket and the external surface of the pipe.

PRODUCT DESCRIPTION

Non-Stick Socket faces for welding plastic pipes with heating iron. Each Size is sold in male and female pairs. 3 layers of Non-Stick Coating.

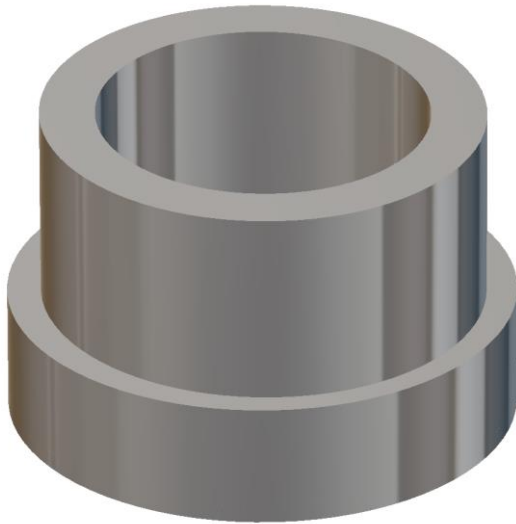


SOCKET FUSION

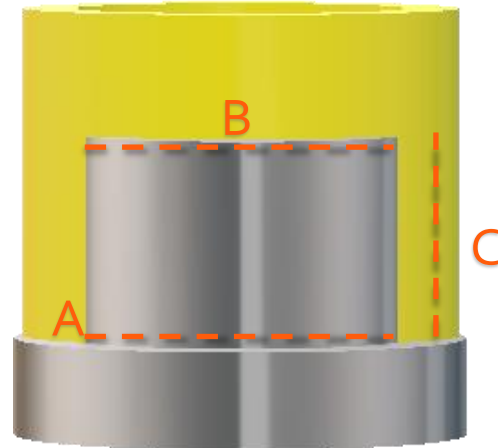




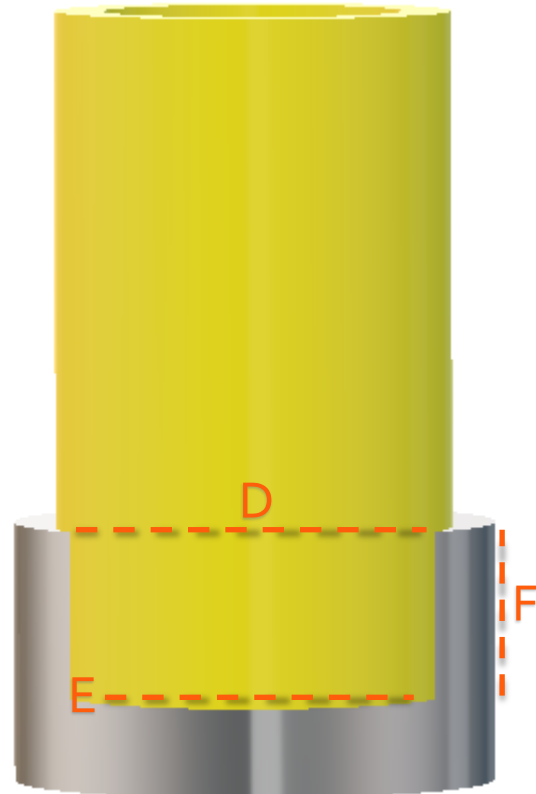
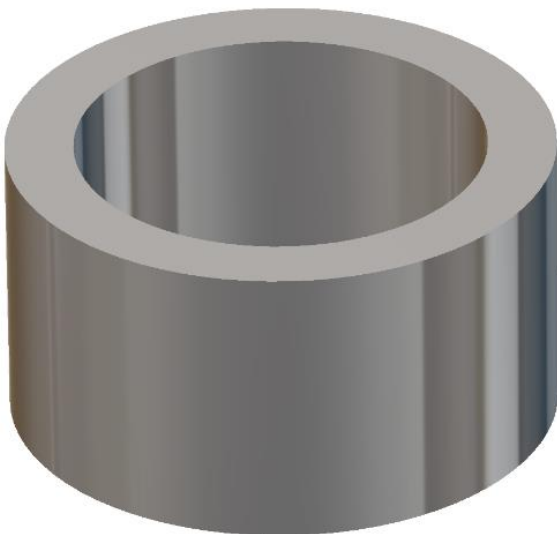
3D VIRTUAL IMAGE



MALE SOCKET
Melt the inside of the fitting



FEMALE SOCKET
Melt the outside of the pipe





SK SERIE (INCHES) INTERNATIONAL STANDARD ASTM 1056
METRIC SERIES INTERNATIONAL STANDARD DVS 2207

Diam Standard	Diam Metric
1/2" CTS	16mm
1/2" IPS	20mm
3/4" IPS	25mm
1" IPS	32mm
1 1/4" IPS	40mm
1 1/2" IPS	50mm
2" IPS	63mm
3" IPS	90mm
4" IPS	110mm

